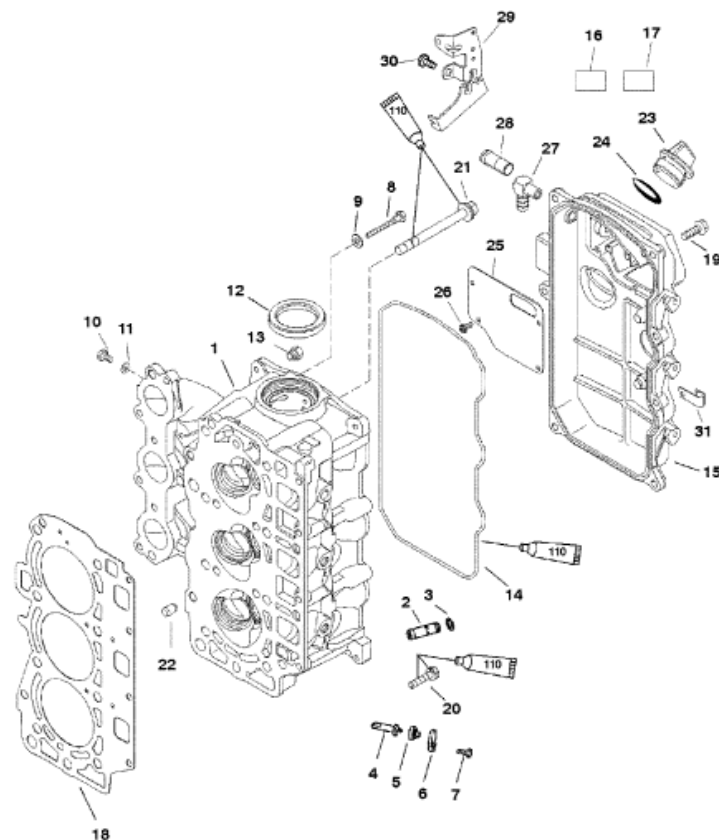


110  4-stroke Outboard Oil (92-828000A12)



9162

Parts List

Ref	Class	Part	Description	Qty	Comment	Footnote
-		834778T 5	CYLINDER HEAD	1	(ELECTRIC)	
-		834778T 6	CYLINDER HEAD	1	(MANUAL)	
1		834778T	CYLINDER HEAD	1		
2		825037	GUIDE	6		
3	53	825038	CIRCLIP	6		
4		826887M	ANODE	3		
5	25	825040	GROMMET	3		2
6		826888M	COVER	3		
7	10	40011128	SCREW, (M6 x 20)	3		
8	10	827607	BOLT	1		
9	27	827610	GASKET	1		
10	10	84088M	SCREW, (M6 x 10)	3		
11	27	827610	GASKET	3		
12	26	825048	OIL SEAL	1		
13	22	822644	PIPE PLUG	5		
14	25	854341	O-RING	1		2
15		834779A 1	COVER	1		
16		NSS	NOT SOLD SEPARATE, Decal	1		
17		NSS	NOT SOLD SEPARATE, Decal	1		
18	27	834777	GASKET	1		5,2
19	10	40011128	SCREW, (M6 x 20)	7		
20	10	825009 25	SCREW, (M6 x 25)	4		
21	10	825033 95	SCREW, (M9 x 95)	8		
22	17	825010	PIN, Dowel	2		
23		859578A 1	OIL PLUG ASSEMBLY	1		
24		NSS	NOT SOLD SEPARATE, O Ring	1		2
25		855236	BAFFLE PLATE	1		
26	10	40057 85	SCREW, (M4 X 10)	4		
27	22	62910 1	ELBOW, (90 Degree)	1		
28	22	825054	BREATHER PIPE	1		
29		830294T 1	BRACKET	1	(HANDLE)	
30	10	40011126	SCREW, (M6 x 13)	2	(HANDLE)	
31	54	65292	J CLIP	1	(USE WHERE APPLICABLE)	
-	27	825231A99	ENGINE GASKET SET	1		
-	61	803017199	POWERHEAD	1		
-	61	803016T99	POWERHEAD	1	(BIGFOOT)	